

# M-1iA/0.5AL (Long arm)



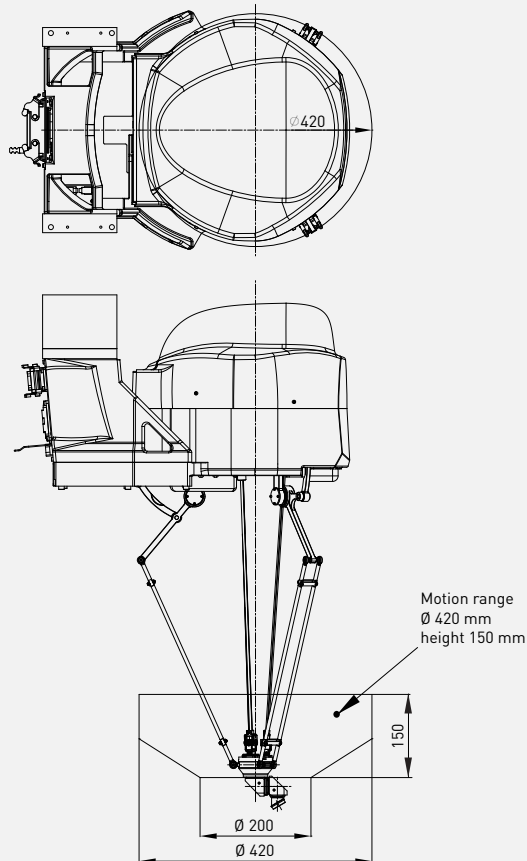
Max. load capacity  
at wrist: **0.5 kg (1 kg)**



Max. reach:  
**420 mm**

Controlled axes	Repeatability (mm)	Mechanical weight (kg)	Motion range (°)							Maximum speed (°/s)							J4 Moment/ Inertia (Nm/kgm <sup>2</sup> )	J5 Moment/ Inertia (Nm/kgm <sup>2</sup> )	J6 Moment/ Inertia (Nm/kgm <sup>2</sup> )
			J1	J2	J3	J4	J5	J6	E1	J1	J2	J3	J4	J5	J6	E1			
6	± 0.03	26 *2	∅ 420 x 150 *3			720	300	720	-	-	-	-	1440	1440	1440	-		*4	

## Working range



### Robot

	M-1iA/0.5AL
Robot footprint [mm]	134 x 370
Mounting position Floor	●
Mounting position Upside down	●
Mounting position Angle	●



### Controller

	R-30iB Plus
Open air cabinet	●
Mate cabinet	○
A-cabinet	-
B-cabinet	-
iPendant Touch	●

### Electrical connections

Voltage 50/60Hz 3phase [V]	-
Voltage 50/60Hz 1phase [V]	200-230
Average power consumption [kW]	0.2

### Integrated services

Integrated signals on upper arm In/Out	6/6
Integrated air supply	1

### Environment

Acoustic noise level [dB]	57.6
Ambient temperature [° C]	0-45

### Protection

Body standard/optional	IP20
Wrist & J3 arm standard/optional	IP20

\*2) with stand      \*3) ∅ in mm by height in mm      \*4) refer to the wrist load diagramm  
 ● standard    ○ on request    - not available    ( ) with hardware and/or software option